



# MICRO SCORPIO HEAD

*"Any place you want to reach, we'll move the camera there"*

COMPACT TWO AXES REMOTE HEAD COMPATIBLE WITH ALL SCORPIO & MINI SCORPIO HEAD AGESORIES



↑  
MITCHELL  
MOUNT



OUTSIDE  
PAN AXIS



OVERSLUNG  
POSITION



BIG CAGE



↑  
28MM TRIPOD  
MOUNT

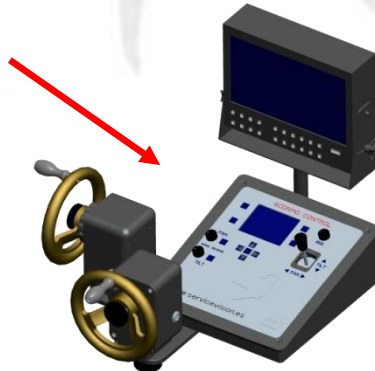


NEW JOYSTICK  
(MAIN CONTROL)

SMALL SMART SMOOTH



NEW PAN BAR (JDR)



NEW HANDWHEELS



[WWW.SERVICEVISION.ES](http://WWW.SERVICEVISION.ES)





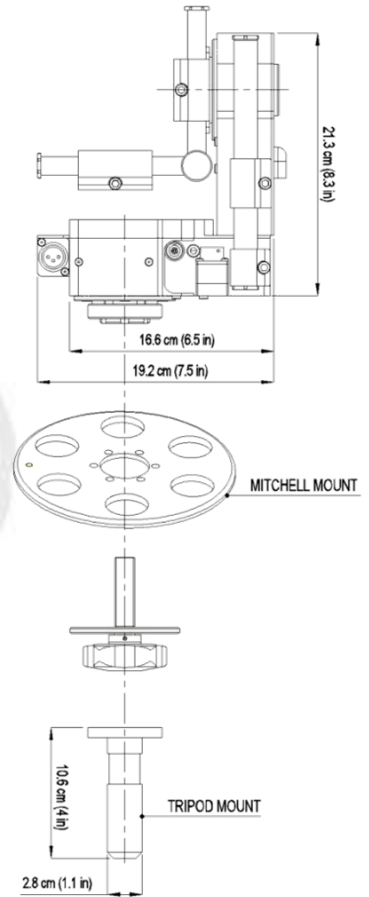
# MICRO SCORPIO HEAD

## TECHNICAL SPECIFICATIONS:

- Weight: 6 kg / 13,2 lb
- Max. payload: 12 kg / 26,45 lb
- Max. payload with cage: 25 kg / 56 lb
- Max. speed: 2,4 s/rev
- Power from battery or power supply: from 24V to 35V
- Connection for Scorpio Focus and others lens control systems

## FEATURES:

- Compact two axes remote head for video and film cameras.
- Independent axes connected by cable.
- The Micro Scorpio Head can be positioned in overslung and underslung mode.
- Mounts available: Mitchell mount, tripod mount, a flat mount, 150 mm bowl mount and mount for Jimmy Jib crane.
- Both axes can be moved manually to balance the camera.
- Micro Scorpio Head can be controlled from up to 500 meters by cable serie RS485 or by wireless half-duplex microwave 2,4 Hz.
- All axes (Pan and Tilt, Focus, Iris and Zoom using the Scorpio Focus) are programable and repeatable.
- Programmable limits, damping and speed adjustment for all axes available.
- Four control units are available: JDR (Pan Bar), Joystick, Handheld and Handwheels.
- External hand commands to control lenses and head from different cranes like: Jimmy Jib, ABC, Felix ...



**BIG CAGE**



**SMALL CAGE  
UNDER- SLUNG**



**SMALL CAGE  
OVER- SLUNG**



## **SERVICEVISION BIS S.L.**

Calle Ríos Rosas, 20  
08940 Cornellà de Llobregat  
Barcelona, Spain  
Phone +34 93 2238630  
Fax +34 93 2238631  
[comercial@servicevision.es](mailto:comercial@servicevision.es)

[WWW.SERVICEVISION.ES](http://WWW.SERVICEVISION.ES)

## **SERVICEVISION USA**

12035 Sherman Way  
North Hollywood  
CA 91605 USA  
Phone +1 (818) 623 1970  
Fax +1 (818) 623 1975  
[rental@servicevisionusa.com](mailto:rental@servicevisionusa.com)

[WWW.SERVICEVISIONUSA.COM](http://WWW.SERVICEVISIONUSA.COM)